

# 22" Wall-hanging Mounts

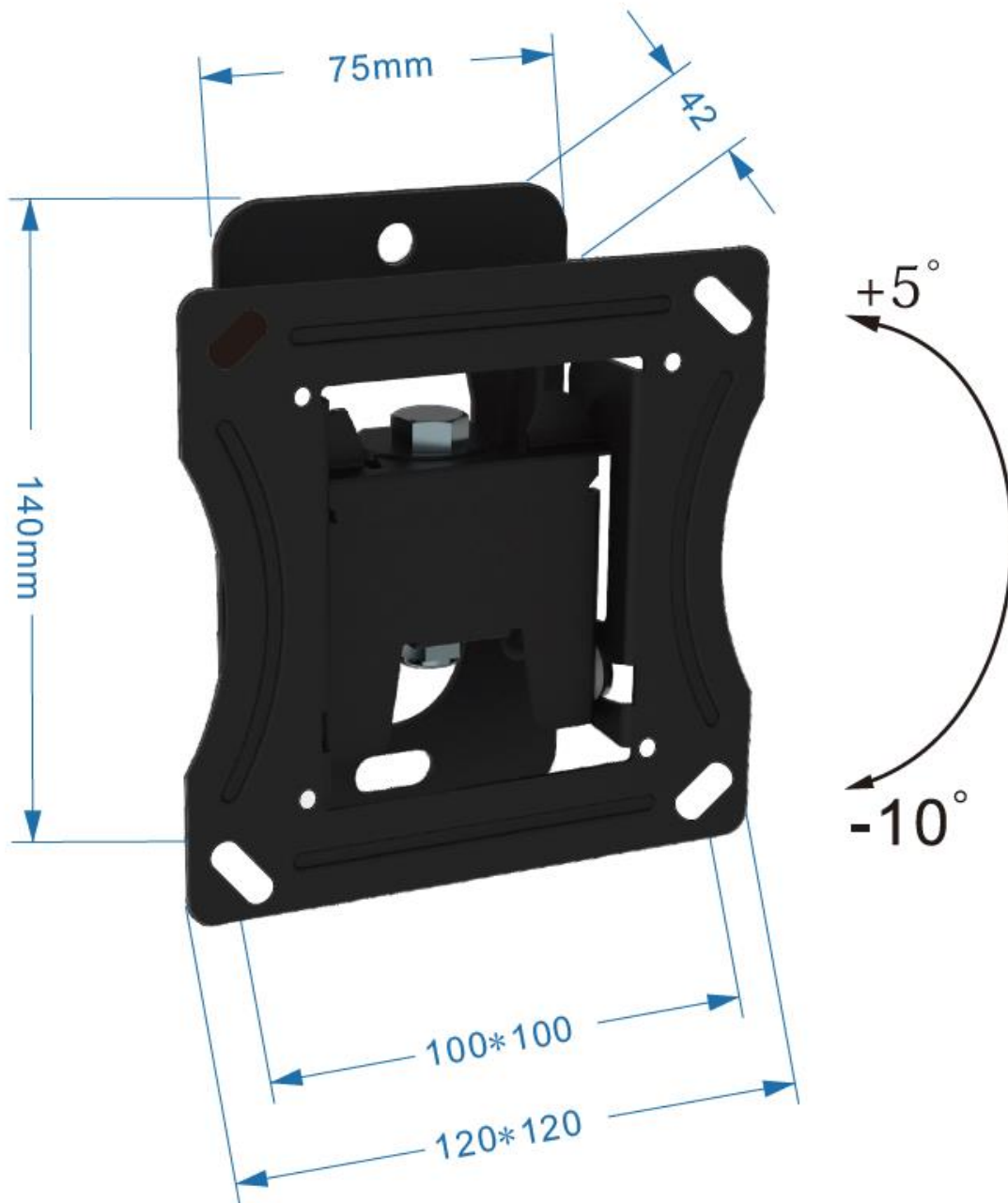
HB-4022-E



## Specifications

Model	HB-4022-E
Dimension (W×H×D)	140mm×120mm×42mm
Weight	0.5 Kg
Material	SGCC
Standard	VESA

## Dimensions



**Zhejiang Uniview Technologies Co.,Ltd.**

Building No.10, Wanlun Science Park, Jiangling Road 88, Binjiang District, Hangzhou, Zhejiang, China

Email: [overseasbusiness@uniview.com](mailto:overseasbusiness@uniview.com); [globalsupport@uniview.com](mailto:globalsupport@uniview.com)

<http://www.uniview.com>

©2017 Zhejiang Uniview Technologies Co.,Ltd. All rights reserved.

\*Product specifications and availability are subject to change without notice.